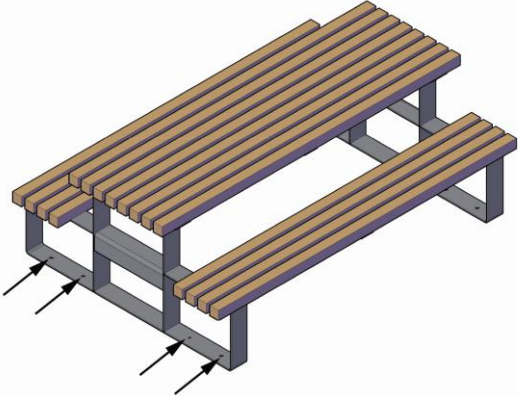
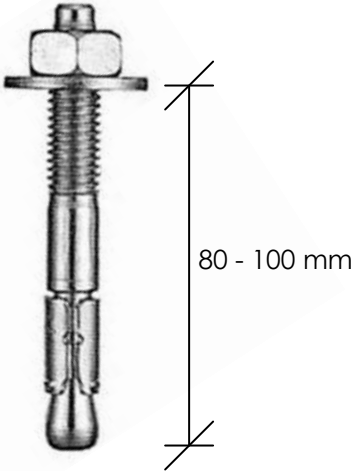



## Installation Guidelines – Essentials Picnic Bench

Guidelines for fixing with anchor bolts.

These instructions are intended as guidelines only. Citysquared recommend employing experienced professionals for any installation.

<p>1.0</p> <p>Fixing holes are located in the base of each of the 2 legs. There are 8 fixing holes per picnic bench in total.</p> <p>Position the product avoiding any under-floor services. Mark through each hole onto the hard surface below and remove bench.</p> 	<p>2.0</p> <p>Using an appropriate SDS drill and drill bit to suit the anchor bolt being used (please note, hole in bench leg is 15mm diameter), drill into the hardstanding to the appropriate depth. M8 stainless steel anchor bolt is recommended.</p> 
<p>3.0</p> <p>Place the bench back over the drilled holes. Lightly tap the anchor bolt into the hole. Using an appropriate size socket wrench or ratchet spanner, tighten the bolt, tap again and tighten until secure.</p> 	<p>4.0</p> <p><i>Please note all installations need to be into a hardstanding.</i></p>