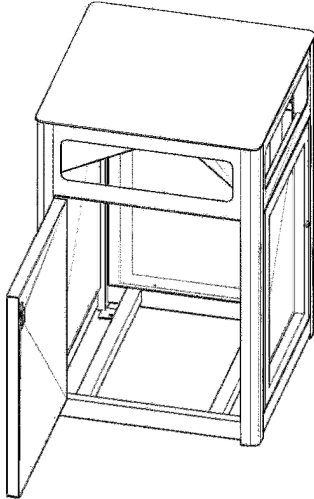
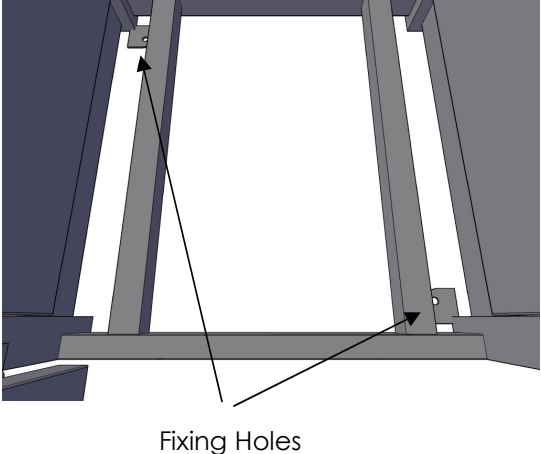
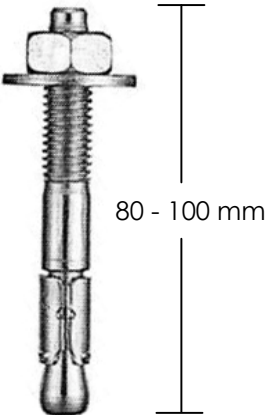



Installation Guidelines – Posterboy Bin

These instructions are intended as guidelines only. Citysquared recommend employing experienced professionals for any installation.

| | |
|--|--|
| <p>1.0</p> <p>The litter bin is fitted by anchor-bolting the frame to the ground. Ensure the product is positioned avoiding any under floor services. Position the bin where you wish to fix it and remove the internal liner.</p>  | <p>2.0</p> <p>Using a pencil or similar, mark through the two corner fixing holes onto the ground. Move the bin to one side.</p>  |
| <p>3.0</p> <p>Using an appropriate SDS drill and drill bit to suit the anchor-bolt being used (please note hole in bin frame is 12mm Ø), drill into the hardstanding to the appropriate depth. M10 stainless steel anchor-bolt is recommended.</p>  | <p>4.0</p> <p>Place the bin back over the drilled holes. Lightly tap the anchor bolt into the hole. Using an appropriate size socket wrench or ratchet spanner, tighten the bolt, tap again and tighten until secure.</p>  |