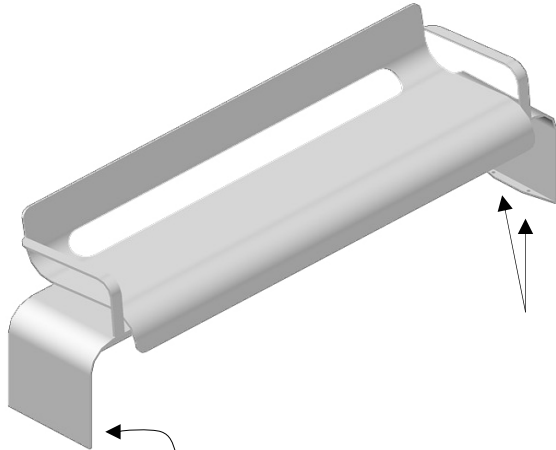
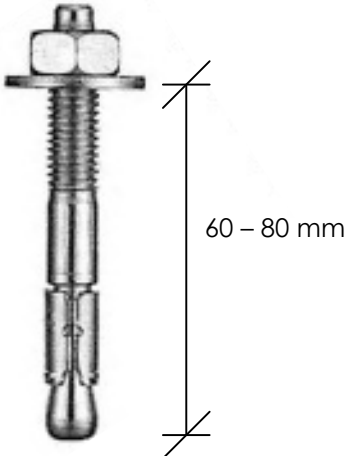



## Installation Guidelines – Toughlove

Guidelines for hard fixing with anchor bolts.

These instructions are intended as guidelines only. Citysquared recommend employing experienced professionals for any installation and that the manufacturers instructions for all fixings (anchor bolts) are adhered to at all times .

<p>1.0</p> <p>The fixing holes are located in the base of each leg. Position the product avoiding any under floor services. Mark through each hole onto the hard surface below and remove bench.</p> 	<p>2.0</p> <p>Using an appropriate SDS drill and drill bit to suit the anchor bolt being used, (please note, fixing hole is 12mm Ø), drill into the hard surface to the appropriate depth. M8 Stainless Steel Anchor bolt is recommended.</p> 
<p>3.0</p> <p>Remove nut and lightly tap the anchor bolt into the hole. Place the bench back over the drilled holes and bolts. Using an appropriate size socket wrench or ratchet spanner, tighten the bolt, tap again and tighten until secure.</p> 	<p>4.0</p> <p>A polyester resin can be used if required (e.g. Fischer FIS P380C).</p> <p><i>Please note all installations need to be into a hardstanding.</i></p>